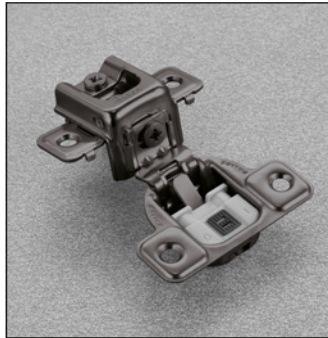


Silentia • Series CU Face Frame - 3 cam adjustment

BLUE = Stocked Items



Integrated soft close face frame hinge with adjustment switch.

Stamped steel
Minimum door thickness 14mm (9/16")
Maximum door thickness 22mm (7/8")
Cup depth 11mm (7/16")
Opening 106°

Edgemount (front tabs only)

All Silentia face frame hinges have a variable drilling distance (K) of 2.5 mm - 6.0 mm.

Available in Nickel or Titanium finish

	106° ø35	106° ø35	106° ø35	106° ø35	Packaging
	1"	1 - 1/4"	1 - 5/16"	1 - 3/8"	
	CUP32D9R	CUP3AD9R	CUP3BD9R	CUP3CD9R	300
	CUP32D6R Titanium	CUP3AD6R Titanium	CUP3BD6R Titanium	CUP3CD6R Titanium	300
	CUR32D9R	CUR3AD9R	CUR3BD9R	CUR3CD9R	300
	CUR32D6R Titanium	CUR3AD6R Titanium	CUR3BD6R Titanium	CUR3CD6R Titanium	300
All overlays are calculated with a K = 2.5 mm.					
Zero-door protrusion on all overlays - #6 x 5/8" flat head wood screw - VU73X154 Nickel - V234X166 Titanium					

	106° ø35	106° ø35			Packaging
	1 - 23/64"	1 - 31/64"			
	CUP3DD9R	CUP3ED9R			300
	CUP3DD6R Titanium	CUP3ED6R Titanium			300
	CUR3DD9R	CUR3ED9R			300
	CUR3DD6R Titanium	CUR3ED6R Titanium			300
All overlays are calculated with a K = 2.5 mm.					
Zero-door protrusion on all overlays - #6 x 5/8" flat head wood screw - VU73X154 Nickel - V234X166 Titanium					

Ideal for refacing and other applications where frame thickness varies. Hinge is indexed from the front of the face frame only. There is no back tab.