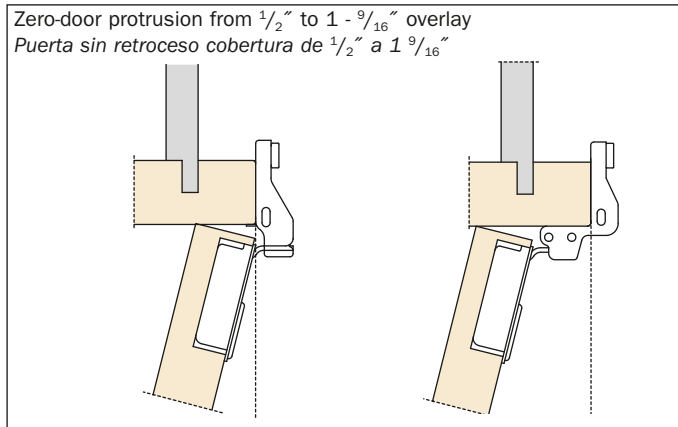


Adjustment

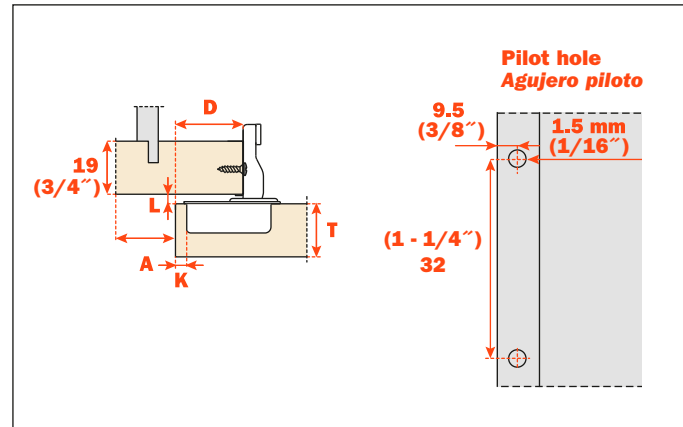
Regulación



- D** = required door overlay
- T** = max. door thickness
- K** = drilling distance
- A** = reveal
- L** = gap between door and frame

- Stamped steel
- Cup depth 11 mm ($\frac{7}{16}$ "
- Opening 106°
- K fixed at 2.5 mm ($\frac{3}{32}$ "
- L = 4.6 mm ($\frac{3}{16}$ "

- **For overlays from $\frac{1}{2}$ " through $\frac{3}{4}$ " the "A" value = 8.3 mm for $\frac{3}{4}$ " square edge doors at 90° opening.**
- **For overlays from 1" through $1 - \frac{7}{16}$ " the "A" value = 5.2 mm for $\frac{3}{4}$ " square edge doors at 90° opening.**

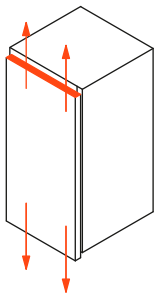


- D** = Cobertura de la puerta sobre el lateral
- T** = Espesor máx. de la puerta
- K** = Distancia taladro
- A** = Parte no cubierta del lateral
- L** = Distancia interna entre puerta y marco

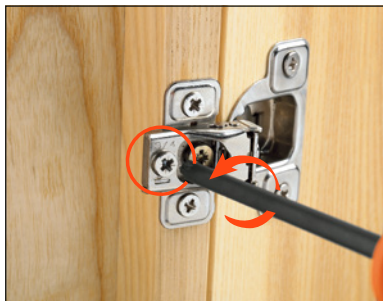
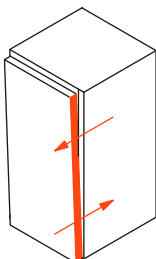
- Acero moldeado
- Profundidad de la cazoleta 11 mm ($\frac{7}{16}$ "
- Abertura 106°
- K fijo a 2.5 mm ($\frac{3}{32}$ "
- L = 4.6 mm ($\frac{3}{16}$ "

- **Para coberturas desde $\frac{1}{2}$ " hasta $\frac{3}{4}$ " el valor "A" = 8.3 mm $\frac{3}{4}$ " para puertas con esquina viva abertura 90°.**
- **Para coberturas desde 1" hasta $1 - \frac{7}{16}$ " el valor "A" = 5.2 para puertas con esquina viva abertura 90°.**

Height adjustment by eccentric cam ± 2 mm ($\pm \frac{3}{32}$ "
Regulación vertical mediante excéntrico ± 2 mm ($\pm \frac{3}{32}$ "



Depth adjustment by eccentric cam
-0.5 mm ($-\frac{1}{64}$ ") +2.5 mm ($+\frac{7}{64}$ ")
Regulación frontal mediante excéntrico
-0.5 mm ($-\frac{1}{64}$ ") +2.5 mm ($+\frac{7}{64}$ ")



Side adjustment by eccentric cam for hinges:

- CS_3799XR; CS_3699XR; CS_3599XR; CS_3499XR,
+2.8 mm, -1.5 mm ($+\frac{7}{64}$ " , $\frac{1}{16}$ ")
- CS_3299NR; CS_3A99NR; CS_3B99NR; CS_3C99NR; CS_3D99NR;
CS_3E99NR;
+3 mm, -2 mm ($+\frac{1}{8}$ " , $-\frac{5}{64}$ ")

Regulación lateral mediante excéntrico para bisagras:

- CS_3799XR; CS_3699XR; CS_3599XR; CS_3499XR,
+2.8 mm, -1.5 mm ($+\frac{7}{64}$ " , $-\frac{1}{16}$ ")
- CS_3299NR; CS_3A99NR; CS_3B99NR; CS_3C99NR; CS_3D99NR;
CS_3E99NR;
+3 mm, -2 mm ($+\frac{1}{8}$ " , $-\frac{5}{64}$ ")

