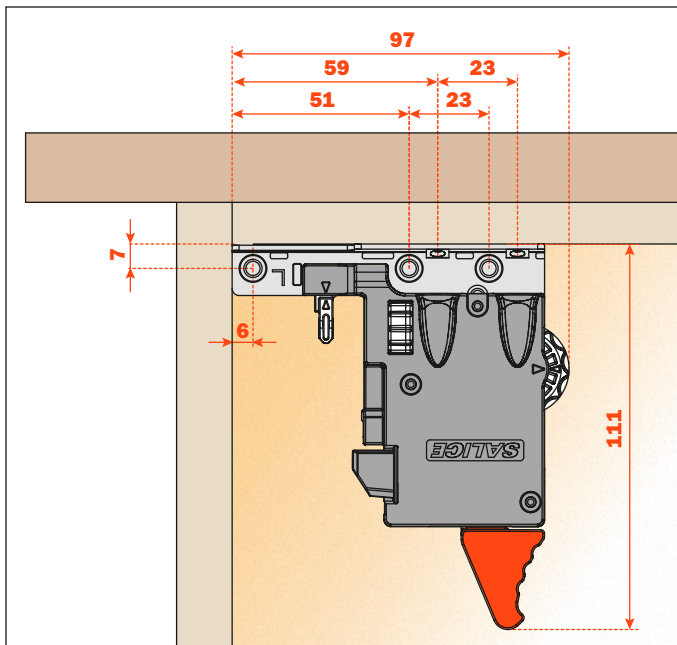


F70 Locking devices - standard mount - side and depth adjustments

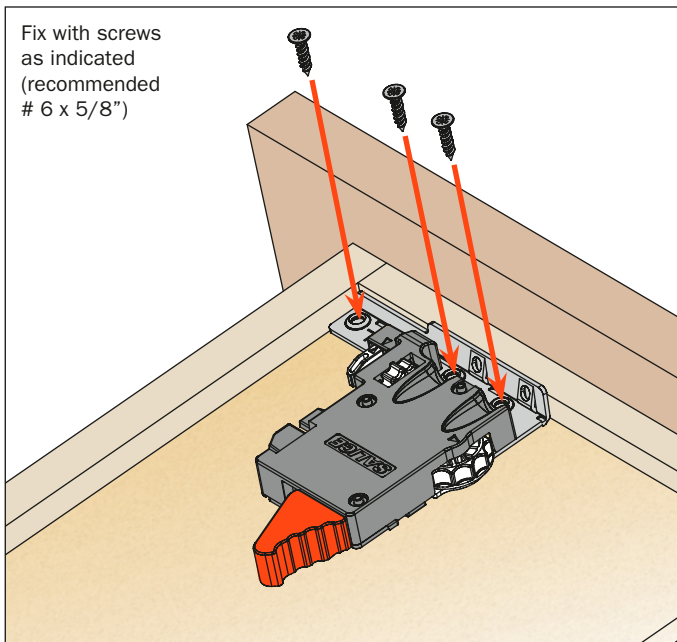
- Dual metal/plastic construction
- For all F70 runner versions
- Tool free lateral and depth adjustments
- Pre-drilling recommended \varnothing 2.5 mm (3/32")



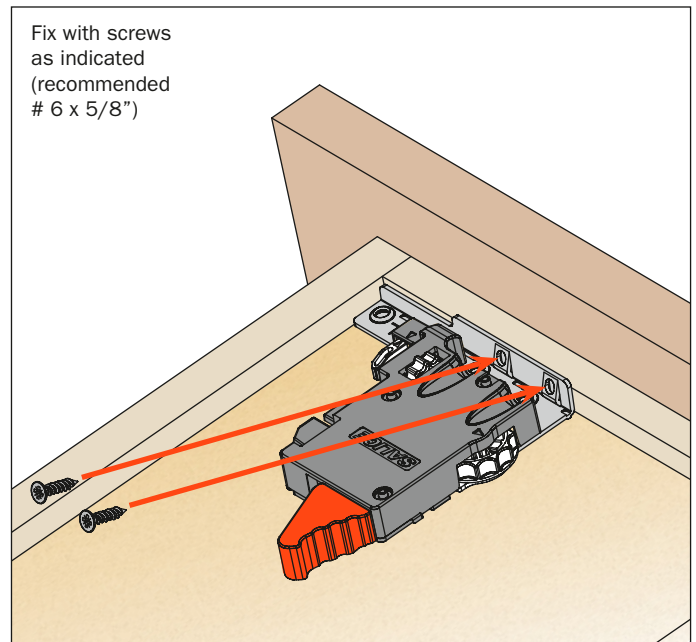
AFCGXX3B

PACKAGING
2 boxes = 100 pcs right and 100 pcs left

Assembly to the bottom



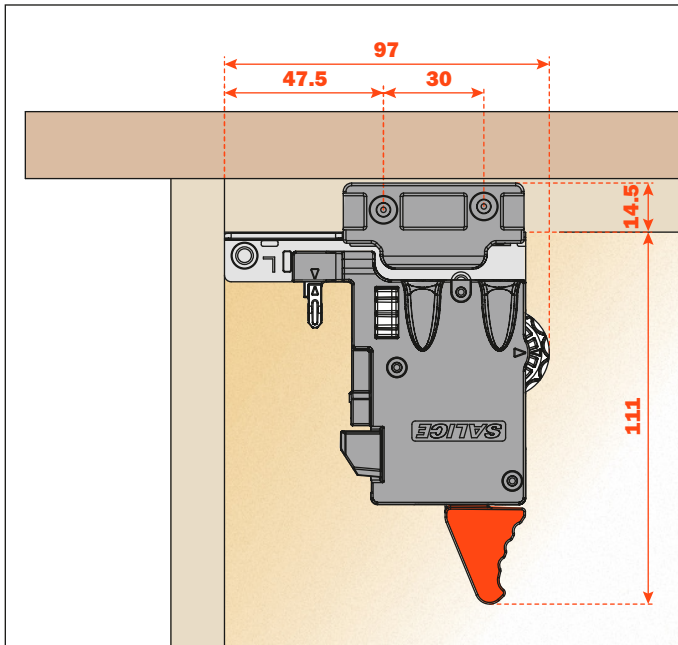
Assembly to the sub-front drawer member



Use **drilling template** for accurate installation of the clips, see page 35.

F70 Locking devices - Vertical mount - side and depth adjustments

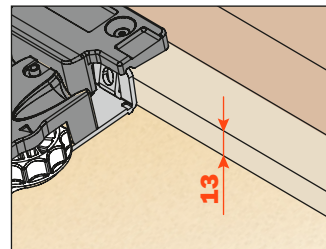
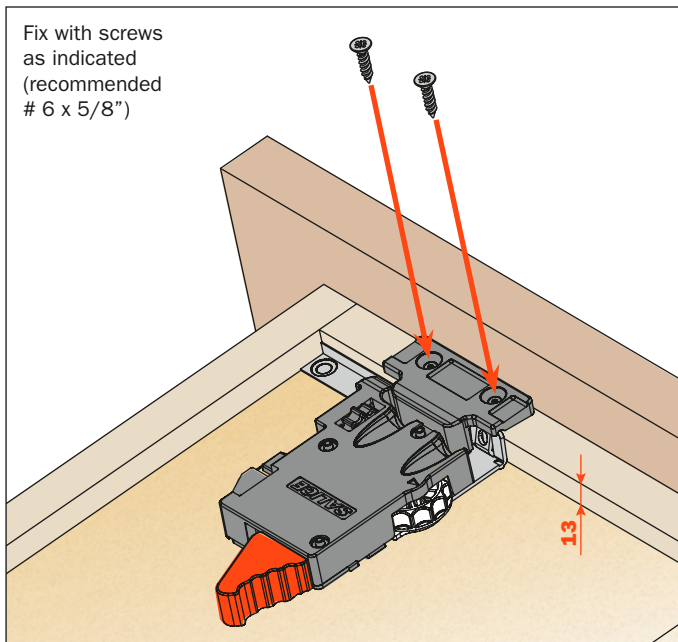
- Dual metal/plastic construction
- For all F70 runner versions
- Tool free lateral and depth adjustments
- Height of the sub front must be 13 mm (1/2")
- Pre-drilling recommended \varnothing 2.5 mm (3/32")



AFCGX43B

PACKAGING
2 boxes = 100 pcs right and 100 pcs left

Assembly to the sub-front drawer member

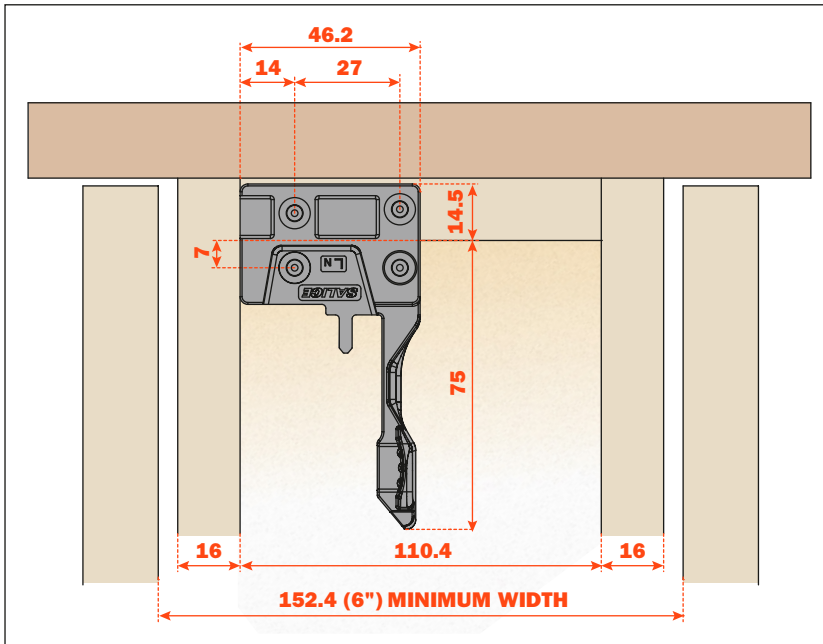


Use **drilling template** for accurate installation of the clips, see page 35.

Height of the sub front must be 13 mm (1/2").

F70 Locking devices - Narrow drawer clip

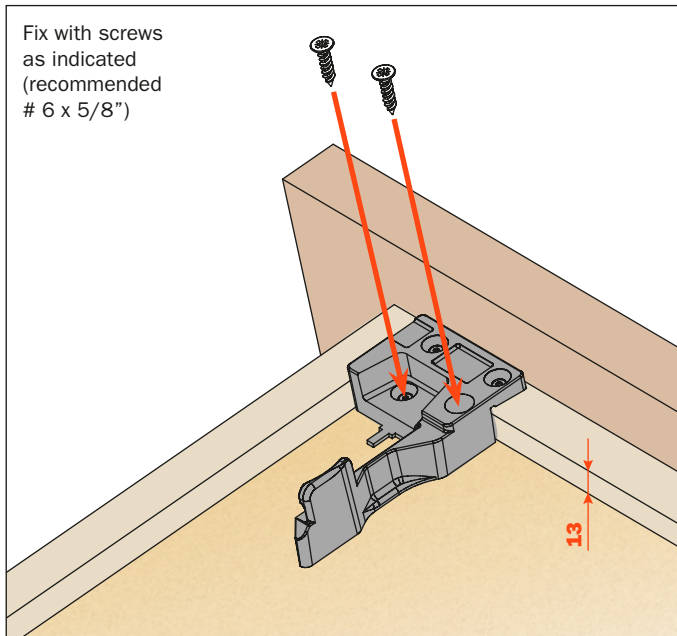
- For use with narrow drawers
- For all F70 runner versions
- Height of the sub front must be 13 mm (1/2")



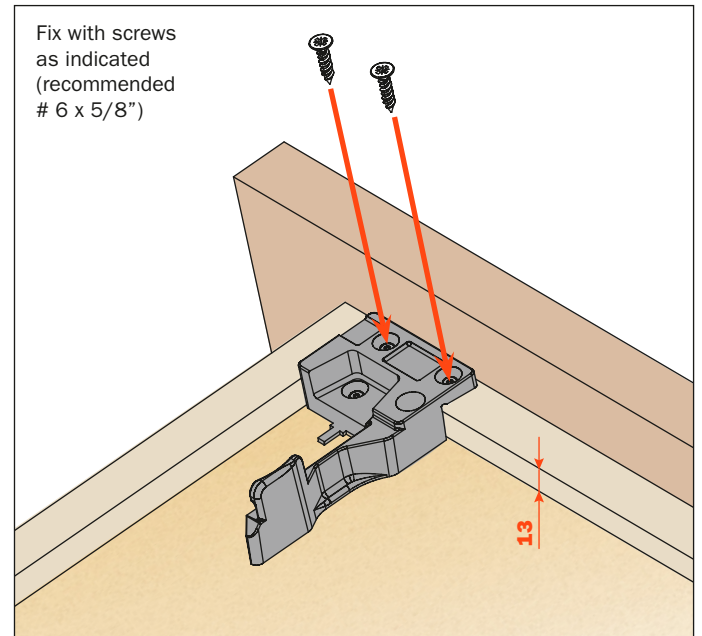
AFCEX43B

PACKAGING
2 boxes = 100 pcs right and 100 pcs left

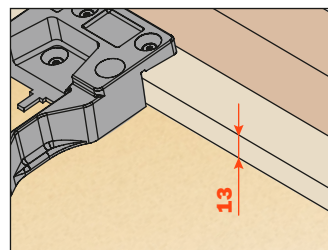
Assembly to the bottom



Assembly under the sub-front drawer member



Use **drilling template** for accurate installation of the clips, see page 36.



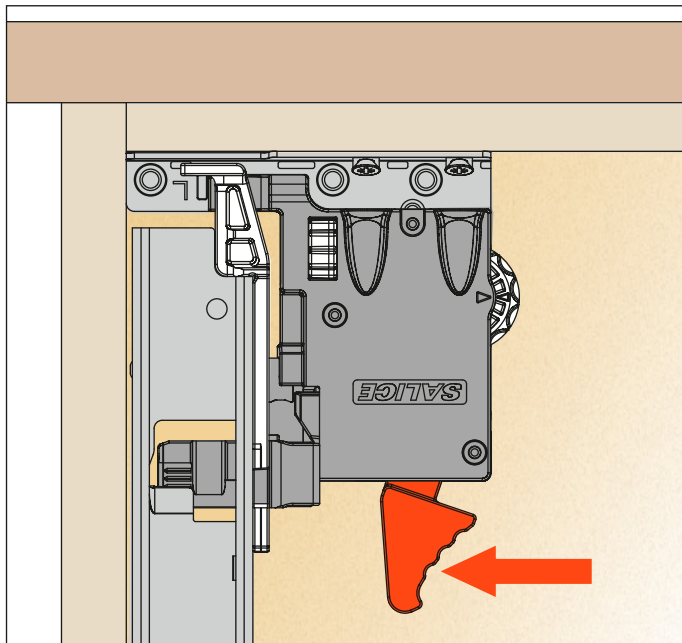
Use **drilling template** for accurate installation of the clips, see page 36.

Height of the sub front must be 13 mm (1/2").

Drawer removal

Standard and vertical mount

Position hands under the front of the drawer and press on the orange levers, as indicated in the drawing, sliding the drawer out of the cabinet.



Narrow drawer clip

Position hands under the front of the drawer and press on the black levers, as indicated in the drawing, sliding the drawer out of the cabinet.

