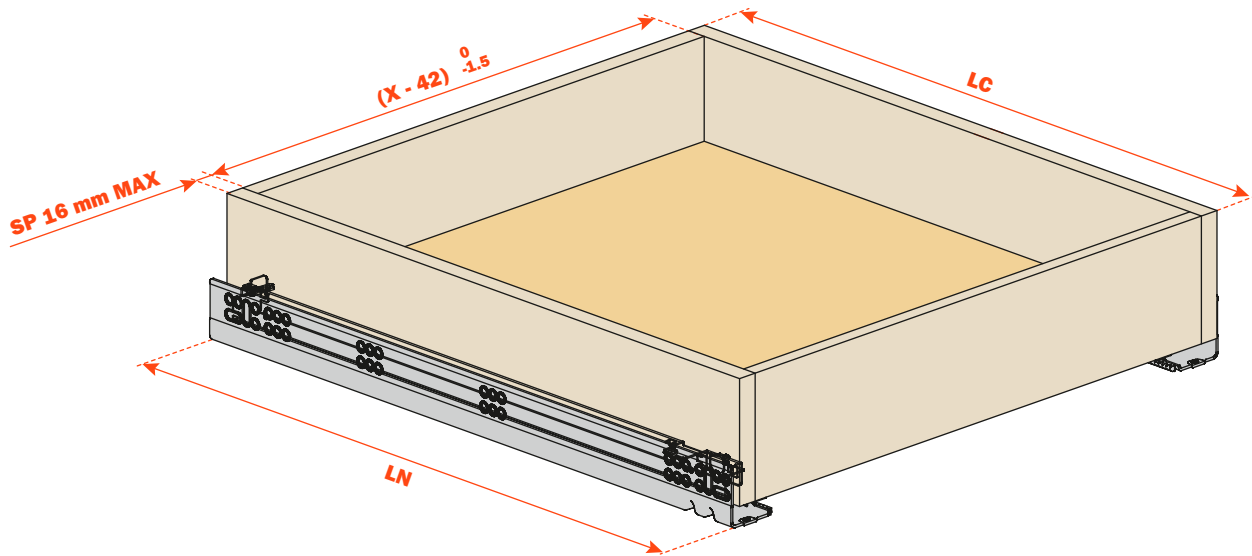


Drawer dimensions and drilling

Full-extension runner for 12 mm (1/2") to 16 mm (5/8") drawer material

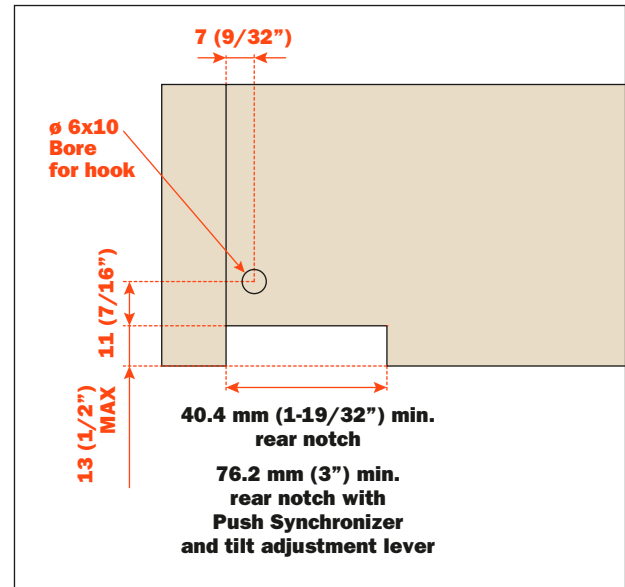


Rear hook



Use **SGD704UGXA drilling template** for rear hook, see page 34.

Drawer back preparation



F70 Push Synchronizer, see page 30.
AGLRXX3F tilt adjustment lever, see page 37.