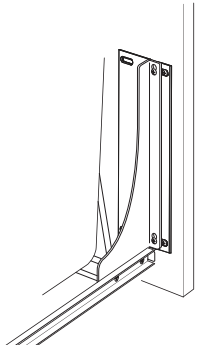


DOOR BRACKET KIT

FOR SINGLE & DOUBLE SLIDING WASTE BINS

Installation Instructions

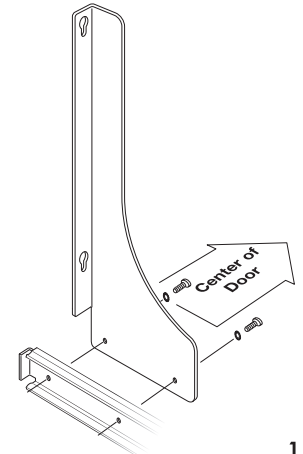
Inspect all parts and read all instructions prior to beginning assembly and installation.



1 Attach Slide Brackets

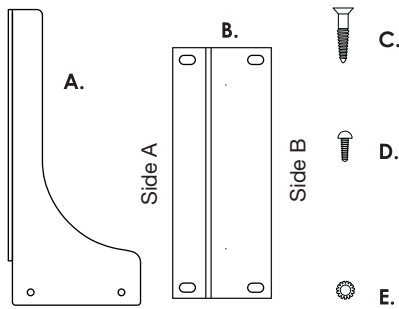
Note: If your assembly slide brackets are already attached to the slide members, proceed to Step 2.

Extend the slide members of the wastebbin product assembly out of the cabinet interior to a comfortable working position. Select a side to begin assembly. Position the slide bracket on the inside of the slide member, aligning the holes. Be sure that the keyhole flange on the slide bracket is facing outward towards the cabinet sides. Attach the slide bracket to the slide member. For any standard bottom-mount waste and recycle units (PSW or PRC), you will use the #10-24 x 1/4" machine screws that were included with this kit. For any bottom-mount soft-close units (BSC), you will use the #10-24 x 5/16" handle mounting machine screws included with the BSC kit. Slide the lock washers (E) over the machine screws before installing screws into brackets. Repeat this process for attaching the opposite side slide bracket to the slide member.



Parts Included

- A. Two (2) Slide Brackets
- B. Two (2) Door Brackets
- C. Four (4) #6-18 x 5/8" Phillips flat-head sheet metal screws
- D. Eight (8) #10-24 x 1/4" Phillips pan-head machine screws
- E. Four (4) external tooth-lock washers



Tools Required

- Phillips head screwdriver
- Drill with 1/16" (1.5mm) bit for drilling pilot holes
- Tape measure or ruler
- Pencil

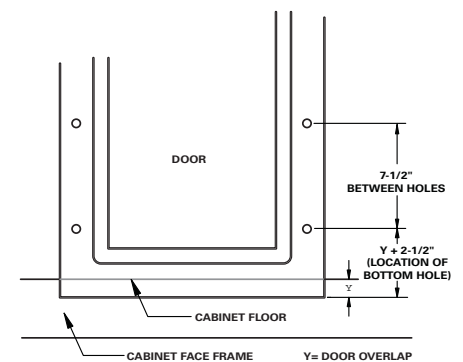
Product Assemblies

PDMKT

2 Locate Vertical Screw Hole Positions

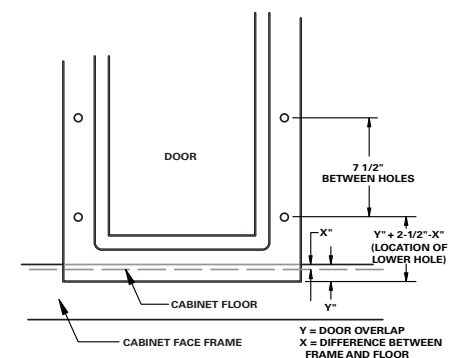
If cabinet bottom is flush with the top edge of lower cabinet face frame cross rail, proceed to Step 2A. If cabinet bottom is below the top edge of lower cabinet face frame cross rail, proceed to Step 2B.

2A Identify if the cabinet door is hinged to the cabinet frame. If so, return the sliding members to the closed position inside the cabinet interior, and close cabinet door. Select a side to begin marking locations. Measure the distance of the cabinet door from the bottom edge of the door to the top edge of the cabinet face frame lower rail. This dimension is "Y". Add 2-1/2" to the "Y" dimension, and this is the vertical location of the lower hole for attaching the door bracket to the back of cabinet door. Mark this location with pencil. Measure 7-1/2" above this location, mark with pencil. This is the vertical location of the upper hole for attaching door bracket to back of cabinet door. Repeat this process for locating holes on other side of cabinet door frame. IMPORTANT! DO NOT DRILL HOLES AT THIS TIME! If door is hinged to cabinet, remove hinge cups from cabinet frame and cabinet door. Proceed to Step 3.



2A

2B Identify if the cabinet door is hinged to the cabinet frame. If so, return the sliding members to the closed position inside the cabinet interior, and close cabinet door. Select a side to begin marking locations. Measure the distance of the cabinet door from the bottom edge of the door to the top edge of the cabinet face frame lower rail. This dimension is "Y". Identify the dimension of the cabinet bottom recess. This dimension is "X". Add 2-1/2" to the "Y" dimension, then subtract the "X" dimension and this is the vertical location of the lower hole for attaching the door bracket to the back of cabinet door. Mark this location with pencil. Measure 7-1/2" above this location, mark with pencil. This is the vertical location of the upper hole for attaching door bracket to back of cabinet door. Repeat this process for locating holes on other side of cabinet door frame. IMPORTANT! DO NOT DRILL HOLES AT THIS TIME! If door is hinged to cabinet, remove hinge cups from cabinet frame and cabinet door. Proceed to Step 3.

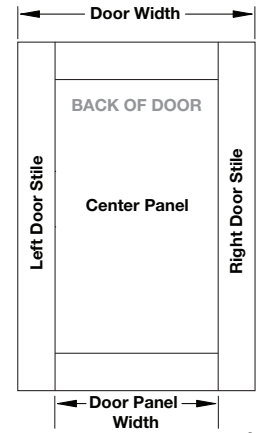


2B



3 Locate Horizontal Screw Hole Positions

To locate the horizontal screw hole positions, determine the Door Width by measuring from the outside edge of the left door stile to the outside edge of the right door stile. Then, determine the Door Panel Width by measuring from the inside edge of the left door stile to the inside edge of the right door stile. These two measurements determine the area available to screw the holes for mounting the door bracket. Locate your Product Assembly number on the chart. Your measurements should be between one of the minimum and maximum distances on the chart. This will determine how to mount the door bracket; Side A Facing Center of Door OR Side B Facing Center of Door. Keeping within the minimum and maximum distances on the chart, mark the horizontal screw hole position on both door stiles so that the distance from the center of the door to each mark is equal. Note: If cabinet door is constructed with a center panel, make certain the marks are not positioned in the dado of the door frame. Allow adequate clearance from edge of dado.



4 Attach Door Brackets to Cabinet Door

Where the two pencil marks meet is the screw hole location for attaching door bracket to back of cabinet door. Attach one bracket to door using #6-18 x 5/8" Phillips flat-head sheet metal screws (C) in the slotted holes of the door bracket. Repeat on other side.

Optional Step

Using 1/16" drill bit, drill pilot holes for inserting screws.

5 Attach Cabinet Door to Sliding Base Assembly

Insert one #10-24 x 1/4" Phillips pan-head machine screw (D) in each round hole of door bracket. Turn 2-3 turns. Extend sliding base assembly (with slide brackets attached) out of cabinet interior to a comfortable working position. Align the pan-head screws on door bracket with the keyholes in the slide bracket. Insert through keyhole and push downward until pan-head screws are fully seated. If necessary, loosen the pan-head screws slightly to verify screws are fully seated. Tighten screws.

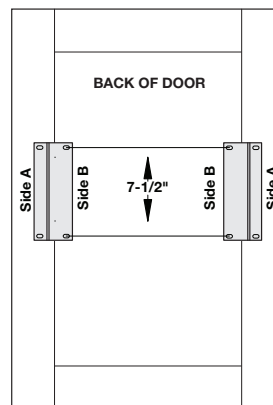
6 Adjust Door

Close cabinet door and sliding assembly. Verify that the door is aligned side to side, up and down, as well as the tilt. To make side-to-side adjustments, loosen and reposition screws in the slotted holes of the door bracket. If up and down adjustments are necessary, loosen and reposition screws in slotted holes of door bracket. To make tilt adjustments, loosen and reposition rear-most screws in the bottom of the slide brackets (where attached to slide members).

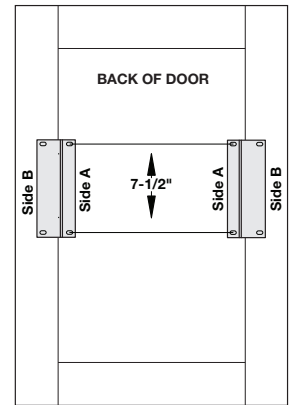
Assembly is now complete.

Product Assembly #	Side "B" Facing Center of Door		Side "A" Facing Center of Door	
Standard Bottom-Mount Assemblies				
	Minimum Distance	Maximum Distance	Minimum Distance	Maximum Distance
PSW9-1-20	8-15/32"	8-15/16"	10-7/16"	11-7/16"
PSW10-1-35	9-15/32"	9-15/16"	11-7/16"	12-7/16"
PSW12-1-50	11-15/32"	11-15/16"	13-7/16"	14-7/16"
PRC12-2-27	11-15/32"	11-15/16"	13-7/16"	14-7/16"
PSW15-1-20	14-15/32"	14-15/16"	16-7/16"	17-7/16"
PSW15-2-20	14-15/32"	14-15/16"	16-7/16"	17-7/16"
PSW15-2-35	14-15/32"	14-15/16"	16-7/16"	17-7/16"
PSW15-3-20	14-15/32"	14-15/16"	16-7/16"	17-7/16"
PSW24-4-27	23-15/32"	23-15/16"	25-7/16"	26-7/16"
Soft-Close Bottom-Mount Assemblies				
	Minimum Distance	Maximum Distance	Minimum Distance	Maximum Distance
BSC9-1-20	8-3/8"	8-13/16"	10-11/32"	11-11/32"
BSC10-1-35	9-3/8"	9-13/16"	11-11/32"	12-11/32"
BSC12-1-50	11-3/8"	11-13/16"	13-11/32"	14-11/32"
BSC12-2-27	11-3/8"	11-13/16"	13-11/32"	14-11/32"
BSC15-1-20	14-3/8"	14-13/16"	16-11/32"	17-11/32"
BSC15-2-20	14-3/8"	14-13/16"	16-11/32"	17-11/32"
BSC15-2-35	14-3/8"	14-13/16"	16-11/32"	17-11/32"
BSC15-3-20	14-3/8"	14-13/16"	16-11/32"	17-11/32"
BSC24-4-27	23-3/8"	23-13/16"	25-11/32"	26-11/32"

Slot to slot widths (located on centerline of door) 1/4-1/2" overlay.



Side "B" Facing Center of Door



Side "A" Facing Center of Door