

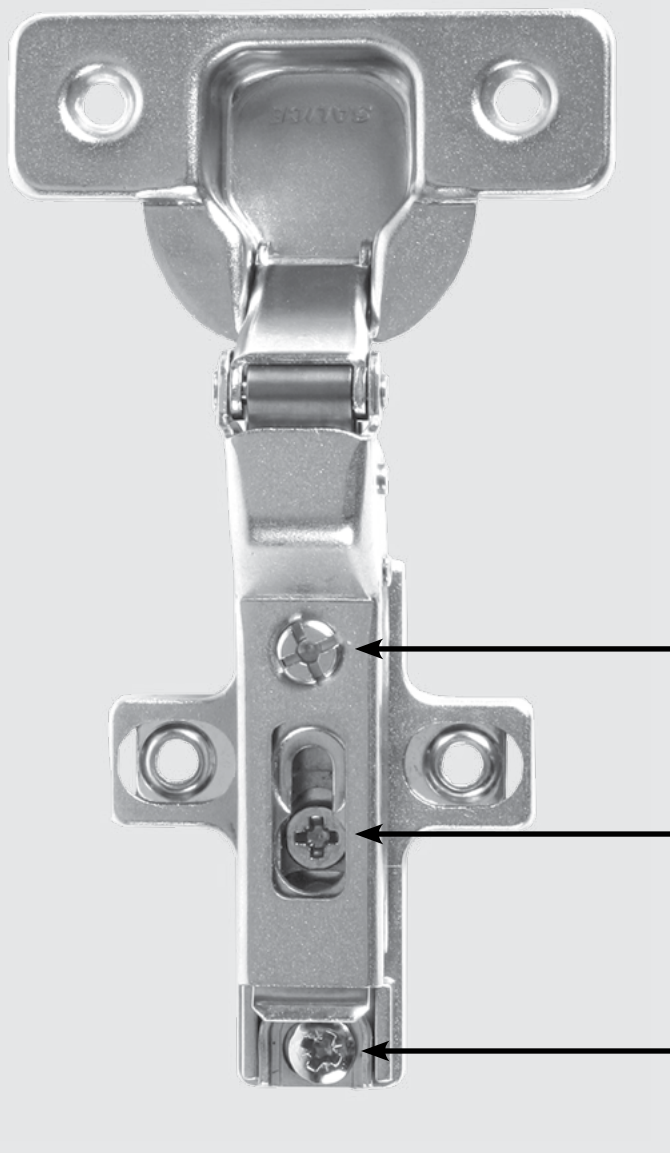


KV Salice Hinge Kit Program

POCKET DOOR HINGES

- Nickel & Black Finish
- 3-Way Adjustable

PLYWOOD COMPANY
OF FORT WORTH, INC.



The Knappe and Vogt Salice Hinge Kit program features three adjustable camms - horizontal (lateral), depth and vertical (height).

These three adjustments make it easier than ever to fine-tune the fit of pocket doors such as those found on entertainment centers and computer workstations.

Horizontal (Lateral) Adjustment Cam

The horizontal (lateral) adjustment range is 6mm (-1/5mm to +4.5mm for 35mm cup hinges, -0.5mm to +5.5mm for 40mm cups), while maintaining a constant gap behind the door.

Vertical (Height) Adjustment Cam

The vertical (height) adjustment range is 4mm (-2mm to +2mm).

Depth Adjustment Cam

The depth adjustment range is 3/1 mm (-0.5mm to +2.8mm) for all hinge bases.

PRODUCT FEATURES

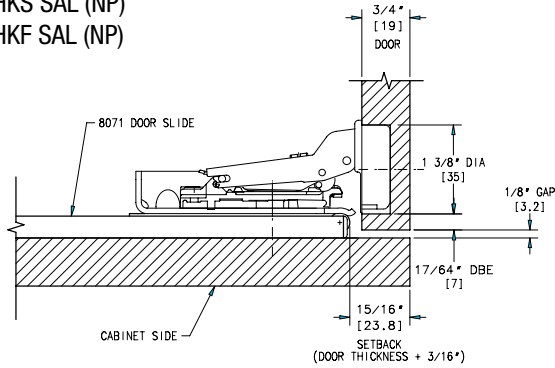
- *Three-way cam hinges provide fast and easy door adjustments. Horizontal, vertical and depth changes can be made without loosening any screws.*
- *Packaged for use with KV 8071, 8081 and 8091 Pocket Door Systems. Packaging includes hinge bases, hinges, mounting screws and cover caps.*
- *Four types of hinges are available to fit a wide variety of pocket door applications - standard inset, free swing, partial overlay and extra-thick doors.*
- *Backed by the exclusive Knappe & Vogt Limited Lifetime Warranty*

FRAMELESS APPLICATIONS - 8071 SETUP

Standard or Free Swing Inset

Frameless, inset application with 3/4" thick door

- 8080 HKS SAL EB (Black)
- 8080 HKS SAL (NP)
- 8080 HKF SAL (NP)

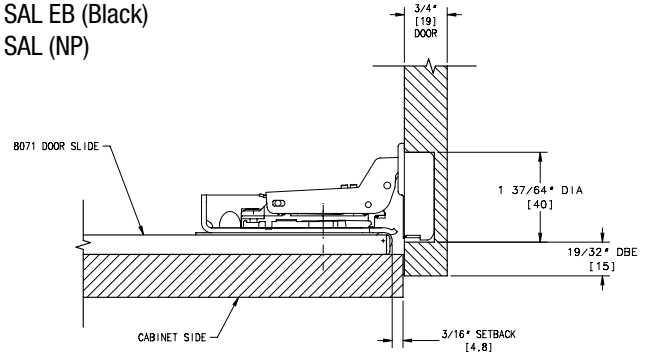


Partial Overlay

Frameless application with 3/4" thick door

Maximum overlay with full hinge adjustment is 3/8"

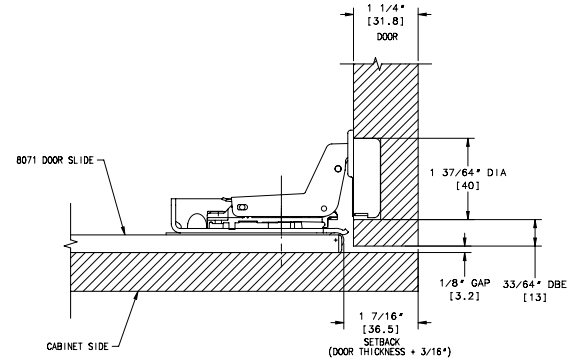
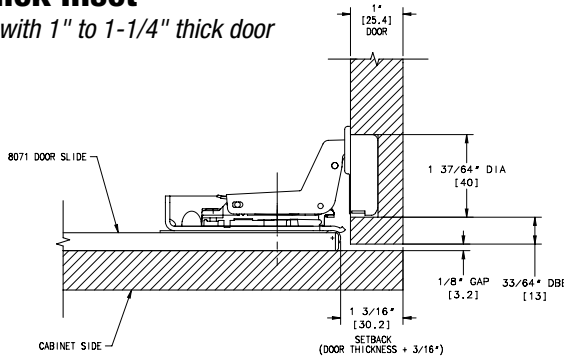
- 8080 HKL SAL EB (Black)
- 8080 HKL SAL (NP)



Thick and Extra-thick Inset

Frameless, inset application with 1" to 1-1/4" thick door

- 8080 HKX SAL EB (Black)
- 8086 HKF SAL (NP)

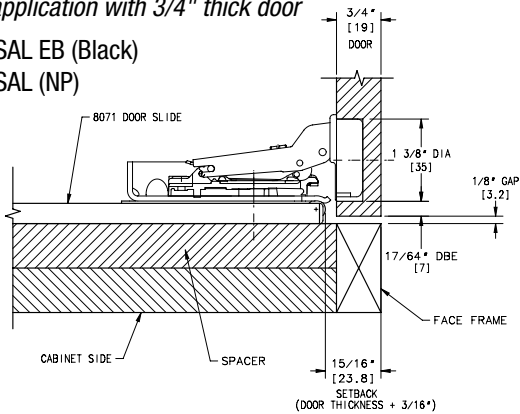


FACE-FRAME APPLICATIONS - 8071 SETUP

Standard Inset

Face-frame application with 3/4" thick door

- 8080 HKS SAL EB (Black)
- 8086 HKS SAL (NP)

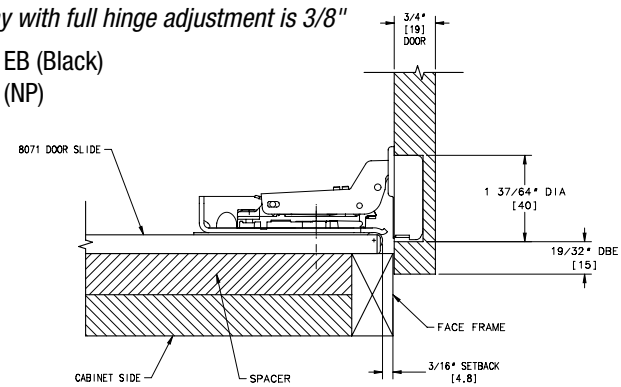


Partial Overlay

Face-frame application with 3/4" thick door

Maximum overlay with full hinge adjustment is 3/8"

- 8080 HKL SAL EB (Black)
- 8086 HKF SAL (NP)



HINGE SETUP CHART

| Hinge Options | Hinge Description | Door Thickness | Edge Bore Distance (DBE) | Hinge Cup Bore Dia. | Maximum Slide Width Including Hinge for Partition Installations | Partial Overlay |
|---------------------------------|--------------------------------------|----------------------------------|--------------------------|---------------------|---|-----------------|
| 8080 HKS SAL 8080 HKS SAL EB | Standard Hinge | 3/4" [19mm] | 17/64" [7mm] | 1-3/8" [35mm] | 1-21/32" [42.1mm] | N/A |
| 8080 HKF SAL | Standard Hinge w/ Free Swing Knuckle | 3/4" [19mm] | 17/64" [7mm] | 1-3/8" [35mm] | 1-21/32" [42.1mm] | N/A |
| 8080 HKL SAL 8080 HKL SAL EB | Partial Overlay Door | 3/4" [19mm] | 19/32" [15mm] | 1-37/64" [40mm] | 1-7/8" [47.6mm] | 3/8" [9.5mm] |
| 8086 HKX SAL 8086 HKX SAL EB | Extra-Thick Door | 1" to 1-1/4" [25.4mm to 32mm] | 33/64" [13mm] | 1-37/64" [40mm] | 2-5/16" [58.7mm] | N/A |

Knap & Vogt reserves the right to change product specifications at any time without notice and without incurring responsibility for existing units.