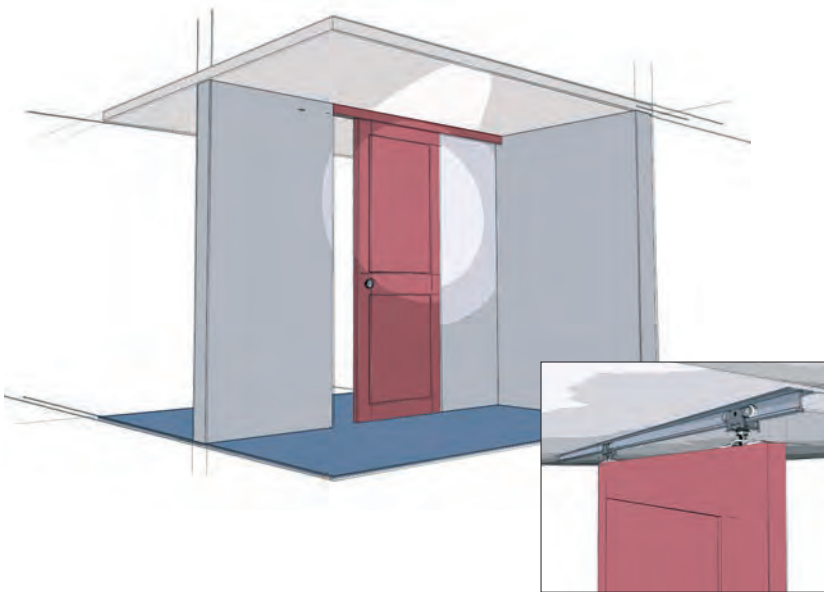


Single Door Set  
**Top Line Grant 71-111**  
 up to 150 lbs/door (68 kg/door)

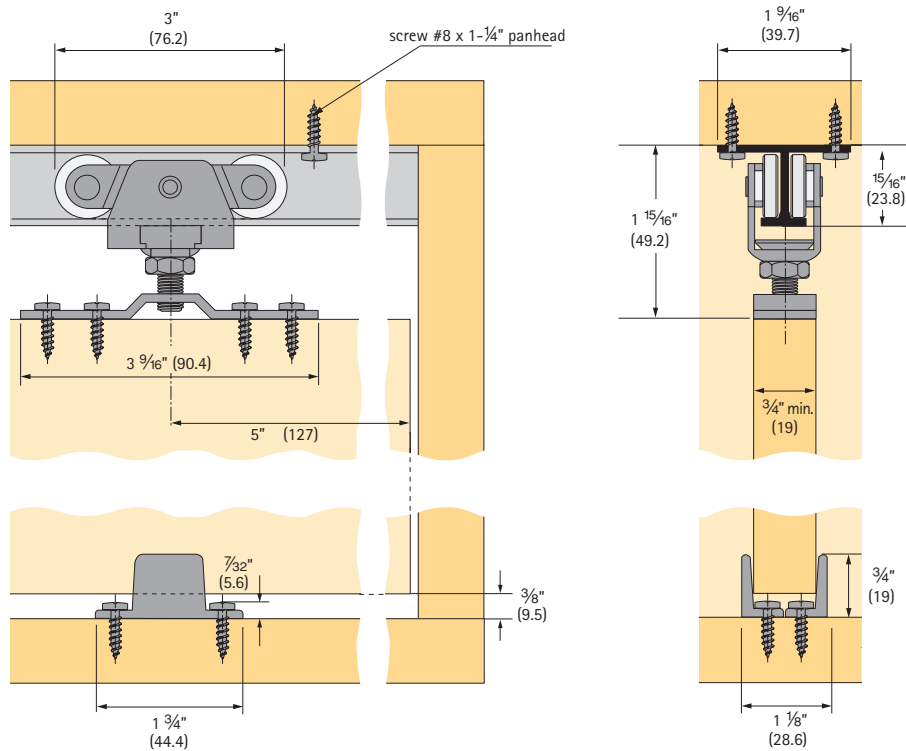
for door thickness  $\frac{3}{4}$ " (19 mm) minimum, top mount, non-adjustable



**Top Line Grant 71-111**

A medium duty commercial and residential grade sliding door hardware series ideal for single and bi-parting installations. Applications include doors between rooms, closet doors, cabinets, storage walls, and partitions.

- For doors  $\frac{3}{4}$ " and up weighing up to 150 lbs (68 kg), optional nylon wheel carrier up to 100 lbs (45 kg)
- Precision ball-bearing wheels ensure a smooth, quiet and long lasting performance.
- Non-adjustable
- Heavy duty aluminum I-beam track; jump proof design
- Pivoting rocker arms ensure track-carrier contact.
- Ball and socket suspension compensates for minor header misalignment.
- Lock nut ensures permanent positioning.
- Meets and/or exceeds ANSI/BHMA standards
- Made in USA



Technical specifications are subject to change without notice

**Specifications:**

Mounting: Top  
 Adjustment: None  
 Door thickness: 3/4" (19 mm) min.  
 Headroom: 1 15/16" (49.2 mm)  
 Application: Single & bi-parting

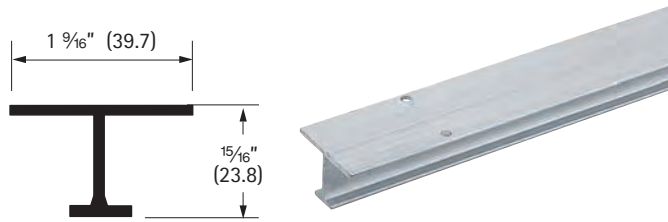
BLUE = Stocked Items

Top Line Grant 71-111 door hardware is available in two purchasing options (not available in sets)

**Option I**  
Track only

**Single track 7001**

Aluminum extruded, pre-drilled holes



Length	Order no.	PU
4' (1200 mm)	050 519	5
5' (1500 mm)	050 520	5
6' (1800 mm)	050 521	5
8' (2400 mm)	<b>050 522</b>	5
10' (3000 mm)	050 523	5
12' (3600 mm)	050 524	5
16' (4800 mm)	050 525	5

Screws not included - recommend #8 Pan Head  
 Tracks 8' and under are notched at one end for easy access

**Option II**  
Separate components

**Top Line Grant 71-111 components**

**Carrier 7000 ball bearing**

Steel, precision ball bearing wheels, up to 150 lbs/door (68 kg/door)



Finish	Order no.	PU
zinc-plated	<b>113 333 9</b>	100

**Carrier 7000 nylon**

Steel, wheel nylon, up to 100 lbs/door (45 kg/door)



Finish	Order no.	PU
zinc-plated	113 333 8	100

**Top plate 7111**

Steel, with pendant bolt, non adjustable

Screws included



Finish	Order no.	PU
zinc-plated	050 564	100

**Floor guide 110**

Nylon, sold in pairs

Screws included



Finish	Order no.	PU
N/A	050 101	50 sets

**Bumper stop 7014**

Steel, track mounted, rubber stop, 2 required per track



Finish	Order no.	PU
zinc-plated	<b>050 561</b>	20