

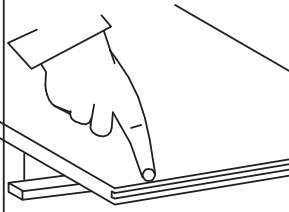


Hettich America L.P.
4295 Hamilton Mill Road, Suite 400
Buford, GA 30518
Technical Hotline: (800) 277-2222

Grant® 7000

SLIDING DOOR HARDWARE INSTALLATION INSTRUCTIONS

For Sliding Door Hardware Sets	71-111 Non-adjustable Single sliding door Top mounted Door thickness: 3/4" to 1-3/4" Capacity: 150 lbs Headroom: 1-15/16"	71-034 Adjustment: 1/4" vertical Single sliding door Side mounted Door thickness: 3/4" Capacity: 150 lbs Headroom: 1-7/8" min.	72-034, F72-034 Adjustment: 1/4" vertical By-passing sliding door Side mounted Door thickness: 3/4" Capacity: 150 lbs, each door Headroom: 1-7/8" min.	72-138, F72-138 Adjustment: 1/4" vertical By-passing sliding door Side mounted Door thickness: 1-3/8" Capacity: 150 lbs, each door Headroom: 1-7/8" min.	72-222 Adjustment: 3/4" vertical By-passing sliding door Top mounted Door thickness: 3/4" Capacity: 150 lbs Headroom: 2-1/8" min.
	71-222 Adjustment: 3/4" vertical Single sliding door Top mounted Door thickness: 3/4" to 1-3/4" Capacity: 150 lbs Headroom: 2-1/8" min.	71-138 Adjustment: 1/4" vertical Single sliding door Side mounted Door thickness: 1-3/8" Capacity: 150 lbs Headroom: 1-7/8" min.	72-118 Adjustment: 1/4" vertical By-passing sliding door Side mounted Door thickness: 1-3/8" each Capacity: 150 lbs, each door Headroom: 1-7/8" min.	72-134, F72-134 Adjustment: 3/4" vertical By-passing sliding door Side mounted Door thickness: 1-3/4" each Capacity: 150 lbs, each door Headroom: 1-7/8" min.	72-223 Adjustment: 3/4" vertical By-passing sliding door Top mounted Door thickness: 1" to 1-3/8" Capacity: 150 lbs Headroom: 2-1/8" min.

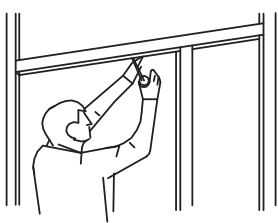
1. 

FOR GROOVED INSTALLATIONS ONLY

Cut a continuous saw slot in center of bottom door 1/4" wide x 7/8" deep.

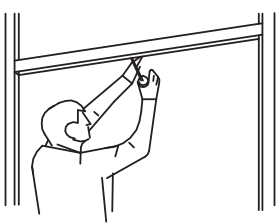
These instructions assume that a proper frame has been constructed

NOTE: *Since these instructions apply to twelve different styles, note your set number and follow only those steps pertaining to it.*

2. 

71-111, 71-222
71-034, 71-138

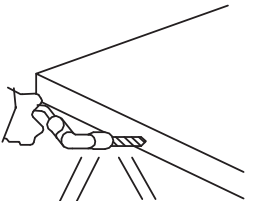
Mount track to header (with opening in carrier housing facing front) using #8 x 1-1/4" R.H.W.S. supplied. Note that one end track is notched, so that No. 7000 carriers may be inserted after track is mounted.



72-034, 72-118, F72-034
72-138, 72-134, F72-138
72-222, 72-223, F72-134

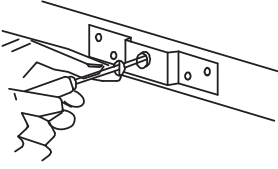
Mount track to header (with opening in carrier housing facing front) using #8 x 1-1/4" R.H.W.S. supplied. Note that one end track is notched, so that No. 7000 carriers may be inserted after track is mounted.

F72-134 } Carrier opening
F72-034 } should be
F72-138 } facing rear.

3. 

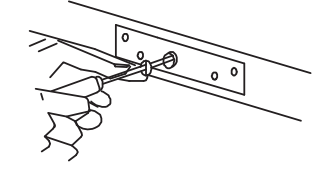
71-222, 72-222, 72-223

Drill a 3/8" diameter hole in top of door on center line of door thickness (approx. 1-1/2" deep) and approximately 5" from either end of door.

4. 

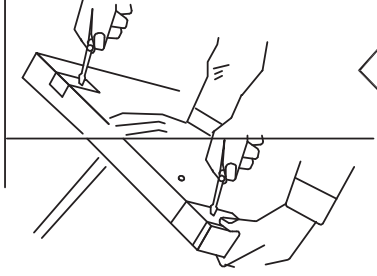
71-111

Attach No. 7111 Top Plates to top of door, using #8 x 1-1/4" R.H.W.S. supplied. Bolt at center of top plate should be approximately 5" from either end of door.



71-222, 72-222
72-223

Place No. 7222 Top Plates on door, with bottom of bolt inserted in hole. Fasten plate to door with #8 x 1-1/4" R.H.W.S. supplied.



71-034, 71-138
72-034, 72-118
72-138, 72-134

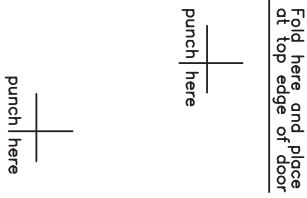
Locate holes on upper left and right hand corners of doors using Template A. See instructions for mounting location on template. Attach aprons.

On sets No. 72-118 & 72-134, mount 3/4" aprons (No. 7034) on front door. 3/4" aprons require #8 x 3/4" F.H.W.S., 1-3/8" aprons require #8 x 1-1/4" F.H.W.S.

071-11-0019-00-0, Rev. B [INSTRUC]071-11-0019-00-0]

TEMPLATE A

CUT ALONG DOTTED LINE



Place template so that
this line is 4" from side
of door



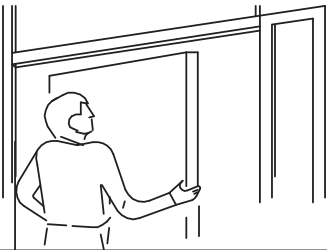
Hettich America L.P.
4295 Hamilton Mill Road, Suite 400
Buford, GA 30518
Technical Hotline: (800) 277-2222

Page 2 of 2

Grant® 7000

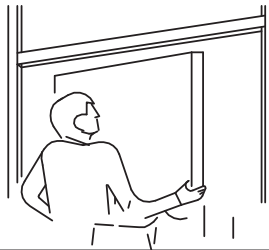
SLIDING DOOR HARDWARE
INSTALLATION INSTRUCTIONS

5.



71-111, 71-222
71-034, 71-138

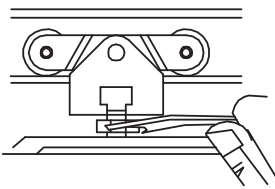
Lift door so that heads of bolts enter into and rest in the cups in the carriers.



72-034, 72-118, F72-034
72-138, 72-134, F72-138
72-222, 72-223, F72-134

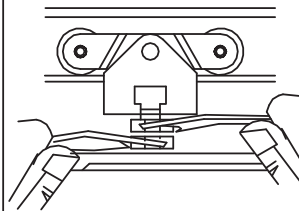
Lift doors so that heads of bolts enter into and rest in cup in the carriers. Door furthest from you must be hung first.

6.



71-111, 71-034, 71-138
72-034, 72-118, 72-138
72-134

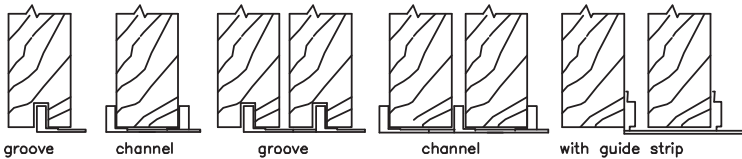
Raise lock nut to light contact on shoulder of bolt. Do not tighten excessively. Play between apron and carriers is necessary for best operation.



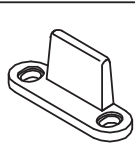
71-222, 72-222
72-223

Raise to nut as far as possible and tighten using 1/2" wrench supplied. To prevent bolt from rotating, place 1/2" wrench on middle nut.

7.

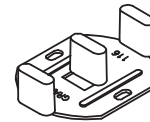


groove channel groove channel with guide strip



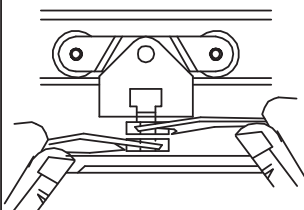
Floor Guide

Slide door(s) to fully closed position. Open vertical members of guide for groove, channel or guide strip application as shown on sectional views. Half of guide is inserted under door, half projecting. Fasten extended portion with #6 x 3/4" F.H.W.S. provided. Move door(s) to opposite side and fasten remaining portion. Snap off excess portion of bottom strip at convenient groove. Strip extension on by-passing doors always projects to the rear.



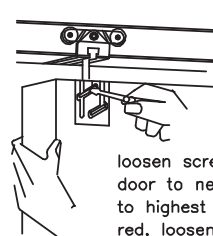
No.116 Floor Guide: For by-passing installations. Non-adjustable for 3/4" doors.
No.117 Floor Guide: For by-passing installations. Non-adjustable for 1-3/8" doors.
No.118 Floor Guide: For by-passing installations. Non-adjustable for 1-3/4" doors. Only 2 screws required. All steel with nylon covered steel uprights.

8.



71-222, 72-222
72-223

Be certain that bottom of door clears the floor by at least 3/16". This dimension, as well as headroom dimension, can be regulated by lowering the lowest lock nut above the plate and turning middle nut on bolt until door is in desired position. Retighten bottom nut against plate, holding center nut with wrench.



71-034, 71-138
72-034, 72-118
72-138, 72-134

If additional clearance is required at bottom of doors

loosen screws in adjusting slots and raise door to next higher notch, or if necessary to highest notch. If top clearance is required, loosen screws and lower door to next lower notch, or if necessary to lowest notch. Tighten both screws.